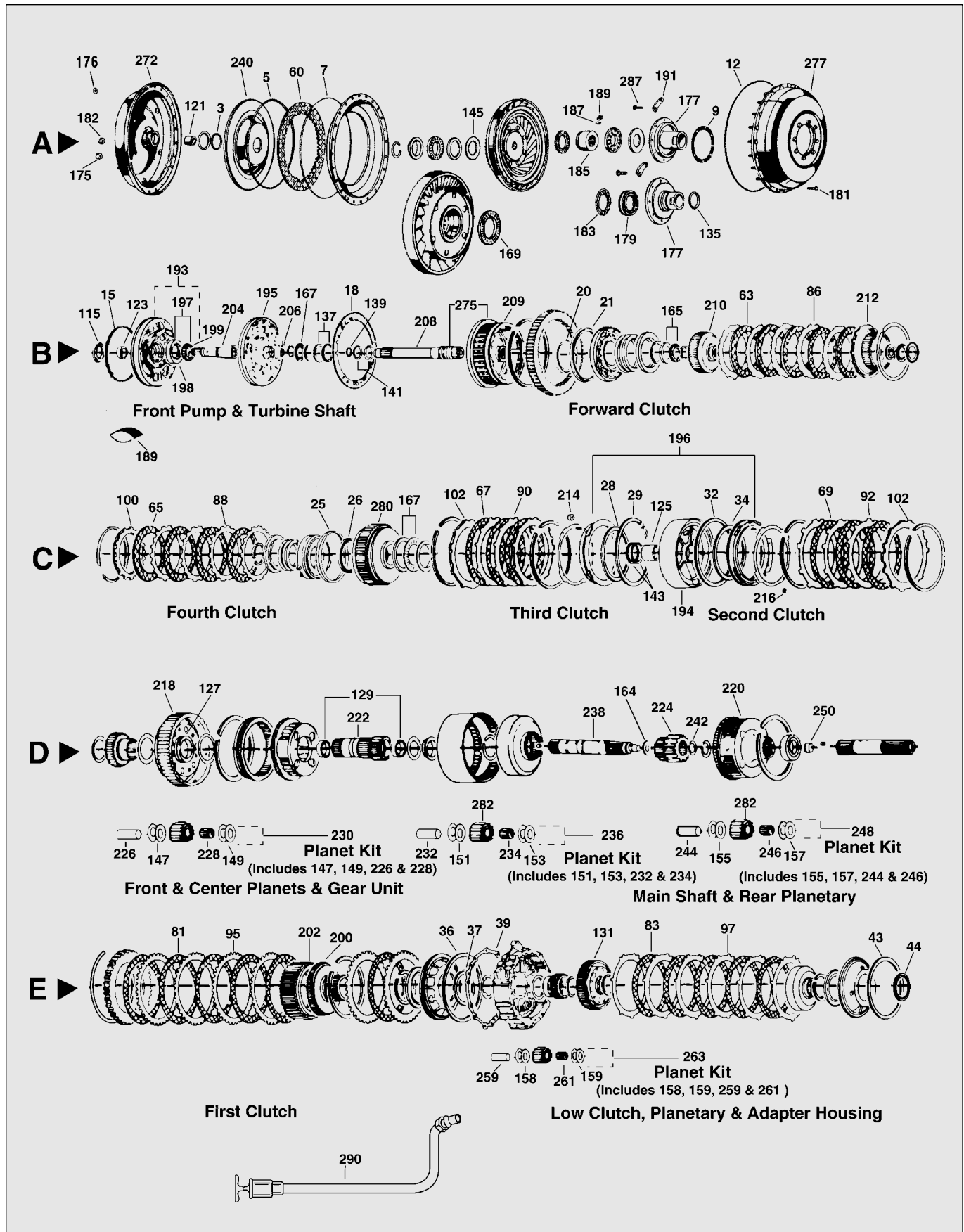


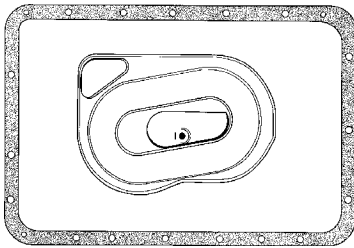
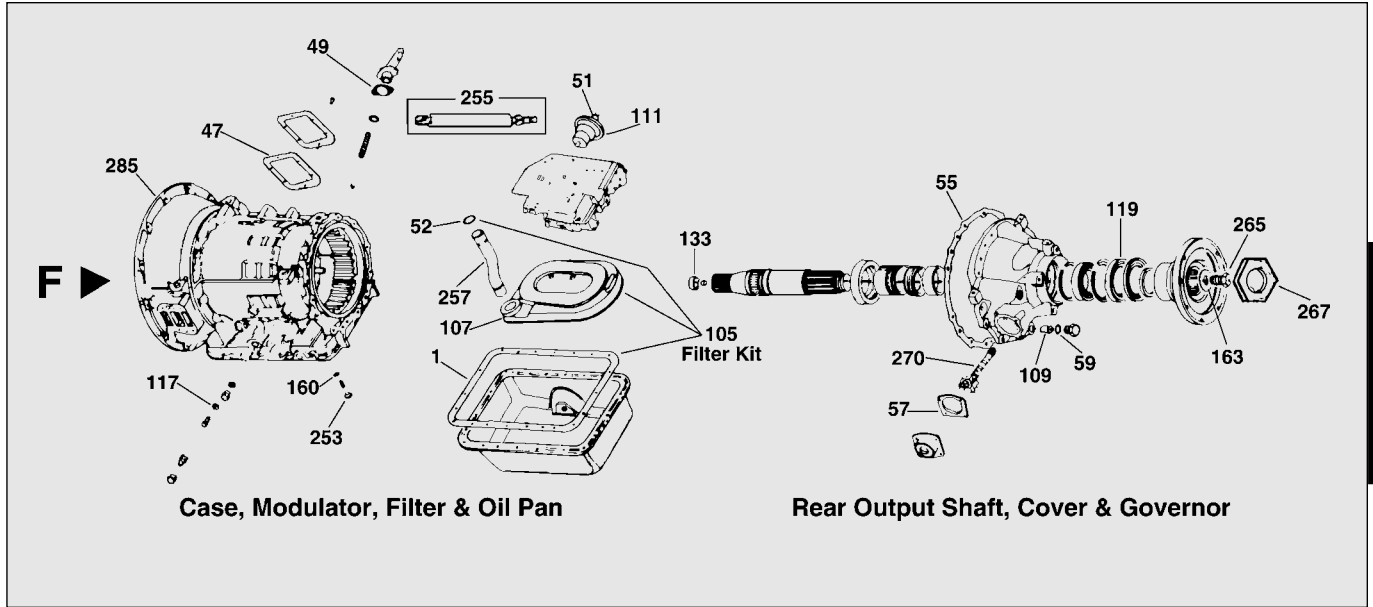
# ALLISON MT/B 640, 643, 644, 647, 650, 653, 654

To Get The Correct Parts, You Must Provide The Assembly Number Found On The Transmission Name Plate.



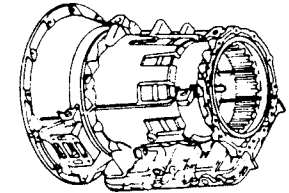
# ALLISON MT/B 640, 643, 644, 647, 650, 653, 654

**To Get The Correct Parts, You Must Provide The Assembly Number Found On The Transmisson Name Plate.**



**21 Bolt Pan**

Allison Transmissions  
MT/B 640, 643, 644, 647, 650, 653, 654



## REBUILDER KITS

DESCRIPTION	QTY.	YEAR	DELUXE KIT	MASTER O/H KIT	LESS STEELS KIT	OVERHAUL KIT	GASKET & SEAL KIT
Kits - 640-643 (1)	1	-		K2100	K2100-LS		
Kits - 650-653 (2)	1	-		K2100A	K2100A-LS		
Kits - 644 - PH1,2	1	-		K2100B	K2100B-LS		
Kits - 654 - PH1,2	1	-		K2100D	K2100D-LS		
Kit - 640-643/650-653 - w/Cork Neo - w/Teflon Seal Kit	1	-				K21900	
Kit - 640-643/650-653 - w/Victopac - Vespel Ring Kit	1	-				K21900FW	
Kit - 644/654 - w/Cork/Neo - Standard Ring Kit	1	-				K21900B	
Kit - 644/654 - w/Victopac - Vespel Ring Kit (29530326)	1	-				K21900HW	
Front Pump Reseal Kit (3)	1	-					K21900-2
Kit - w/o Pan Gasket - 640/643/650/653	1	-				K21900NP	

(1) To replace 29502306 Factory Master Kit, also order K21950 bearing kit and 21800 filter.

(2) To replace 29502307 Factory Master Kit, also order K21950 bearing kit and 21800 filter.

(3) Contains front pump gasket, rubber lathe cut seal, o-ring and pump bolt washers.

# ALLISON

## MT/B 640, 643, 644, 647, 650, 653, 654

To Get The Correct Parts, You Must Provide The Assembly Number Found On The Transmisson Name Plate.

ILL.	DESCRIPTION	QTY.	YEAR	PART NO.	REFERENCE NO.
<b>MISCELLANEOUS GASKETS &amp; SEALS/PAN GASKETS</b>					
1F	Gasket - Oil Pan - Cork & Neoprene .....	1	-	<b>13540X</b>	29501160
1F	Gasket - Oil Pan - Update - Armstrong® ..... (23016682)	1	-	<b>13540W</b>	29501160
3A	O - Ring - Lockup Clutch - Inner - Polyacrylate - exc. 644,654 .....	1	-	<b>3366PL</b>	6770820
3A	Seal - Lathe Cut - Lockup Clutch - Inner - 644, 654 .....	1	-	<b>13176</b>	6770492
5A	Seal - Lathe Cut - Lockup Clutch - Outer - exc. 644, 654 .....	1	-	<b>13159</b>	6758036
5A	Seal - Lathe Cut - Lockup Clutch - Outer - 644, 654 .....	1	-	<b>13177</b>	6758740
7A	Seal - Lathe Cut - Lockup Clutch Backing Plate (Yellow Stripe) .....	1	-	<b>13151</b>	23016564
9A	Gasket - Converter Pump Hub - 640,650 .....	1	-	<b>13150W</b>	29536726
9A	Gasket - Converter Pump Hub - 644, 654 .....	1	-	<b>13174</b>	6771366
12A	Seal - Lathe Cut - Converter Pump Cover - exc. 644, 654 (Yellow Stripe) .....	1	-	<b>13151</b>	23016564
12A	Seal - Lathe Cut - Converter Pump Cover - 644, 654 (Green Stripe) .....	1	-	<b>13175</b>	6880389
15B	Seal - Lathe Cut - Front Pump (Green Stripe) .....	1	-	<b>13160</b>	23016347
N.I.	Seal - Washer - Front Pump Bolt ..... (6834908)	12	-	<b>13161</b>	29512113
18B	Gasket - Front Pump To Case .....	1	-	<b>13162</b>	23046344
20B	Lip Seal - Forward Clutch - Inner ..... (8623121)	1	-	<b>3284L</b>	23015880
21B	Lip Seal - Forward Clutch - Outer .....	1	-	<b>13163</b>	6833981
25C	Lip Seal - Fourth Clutch - Outer .....	1	-	<b>13163</b>	6833981
26C	Lip Seal - Fourth Clutch - Inner .....	1	-	<b>3284L</b>	23015880
28C	Lip Seal - Third Clutch - Inner .....	1	-	<b>13164</b>	23011471
29C	Lip Seal - Third Clutch - Outer .....	1	-	<b>13165</b>	6883035
N.I.	O-ring - Center Support (Starting With Serial No. 100432) .....	1	-	<b>13172</b>	6761244
32C	Lip Seal - Second Clutch - Outer .....	1	-	<b>13165</b>	6883035
34C	Lip Seal - Second Clutch - Inner .....	1	-	<b>13164</b>	23011471
47F	Gasket - Power Takeoff Cover - Update - Armstrong® ..... (23016683)	1	-	<b>13158W</b>	29501161
49F	Gasket - Lube Valve Adapter .....	1	-	<b>13166</b>	6884872
52F	O-ring - Oil Filter Tube (Polyacrylate) .....	1	-	<b>3435PL</b>	6762127
51F	O-ring - Modulator ..... (23017367)	1	-	<b>3410L</b>	8658110
36E	Lip Seal - First Clutch - Outer .....	1	-	<b>13169</b>	6883033
37E	Lip Seal - First Clutch - Inner .....	1	-	<b>13170</b>	6883031
39E	Gasket - Adapter Housing ..... (6837442)	1	-	<b>13171</b>	23045099
43E	Lip Seal - Low Clutch - Outer .....	1	-	<b>13165</b>	6883035
44E	Lip Seal - Low Clutch - Inner .....	1	-	<b>13170</b>	6883031
55F	Gasket - Rear Cover .....	1	-	<b>13171</b>	23045099
57F	Gasket - Governor Cover - Fibre .....	1	-	<b>3914D</b>	23011670
57F	Gasket - Governor Cover - Update - Armstrong® ..... (23011670)	1	-	<b>3914LW</b>	23018625
59F	O-ring - Governor Filter/Cooler Fitting .....	1-2	-	<b>13173</b>	6882689
N.I.	Washer - Drain Plug -Coated .....	1	-	<b>11423B</b>	29507909
N.I.	Washer - Cover - Coated .....	1	-	<b>21154</b>	N.L.
N.I.	O-Ring - Converter Plug/Cooler Fitting (Brown) .....	1	-	<b>13180</b>	N.L.
<b>CLUTCH PLATES</b>					
60A	Friction - Lockup Clutch - Graphitec - 640, 643,650, 653 - Not In Kits (4) .....	1	-	<b>R21106</b>	23046108
60A	Friction - Lockup Clutch - 644, 654 - Not In Kits (5) .....	1	-	<b>W31102</b>	23048511
63B	Friction - Forward Clutch (4) .....	5/6	-	<b>R21103</b>	23042200
63B	Friction - Forward Clutch (5) .....	5/6	-	<b>W21103</b>	23042200
65C	Friction - Fourth Clutch (4) .....	4/5	-	<b>R21103</b>	23042200
65C	Friction - Fourth Clutch (5) .....	4/5	-	<b>W21103</b>	23042200
67C	Friction - Third Clutch (4) .....	3	-	<b>R21104</b>	23042201
67C	Friction - Third Clutch (5) .....	3	-	<b>W21104</b>	23042201
69C	Friction - Second Clutch (4) .....	3/4	-	<b>R21104</b>	23042201
69C	Friction - Second Clutch (5) .....	3/4	-	<b>W21104</b>	23042201
81E	Friction - First Clutch (4) ..... (23042199)	6	-	<b>R11104</b>	29529492
81E	Friction - First Clutch (5) .....	6	-	<b>W11104</b>	23042199

(4) Raybestos brand plate. OEM approved heat-treated paper.  
(5) S.K. Wellman plate. OEM approved graphitic.

# ALLISON

## MT/B 640, 643, 644, 647, 650, 653, 654

**To Get The Correct Parts, You Must Provide The Assembly Number Found On The Transmission Name Plate.**

ILL.	DESCRIPTION	QTY.	YEAR	PART NO.	REFERENCE NO.
<b>CLUTCH PLATES (Cont.)</b>					
83E	Friction - Low Clutch - 654 Phase 1 & 2 <b>(4)</b> .....	7	-	<b>R21101</b>	23042210
83E	Friction - Low Clutch - 654 Phase 1 & 2 <b>(5)</b> .....	7	-	<b>W21101</b>	23042210
83E	Friction - Low Clutch - exc. 654 Phase 1 & 2 <b>(5)</b> .....	5/6	-	<b>W21104</b>	23042201
83E	Friction - Low Clutch - exc. 654 Phase 1 & 2 <b>(4)</b> .....	5/6	-	<b>R21104</b>	23042201
86B	Steel - Forward Clutch .....	5/6	-	<b>21100</b>	23016610
88C	Steel - Fourth Clutch .....	4/5	-	<b>21100</b>	23016610
90C	Steel - Third Clutch ..... (23016608)	3	-	<b>21105</b>	29516333
92C	Steel - Second Clutch ..... (23016608)	3/4	-	<b>21105</b>	29516333
95E	Steel - First Clutch .....	6	-	<b>21107</b>	23016606
97E	Steel - Low Clutch (654 Phase 1 & 2) .....	8	-	<b>21102</b>	23045054
97E	Steel - Low Clutch (Exc. 654 Phase 1 & 2) .....	6/7	-	<b>21105</b>	23016608
<p><b>(4)</b> Raybestos brand plate. OEM approved heat-treated paper.  <b>(5)</b> S.K. Wellman plate. OEM approved graphitic.</p>					
<b>BACKING PLATES</b>					
100C	Fourth Clutch .....	1	-	<b>21108</b>	29516333
102C	2-3 Clutch - .463 - .473 .....	AR	-	<b>21718-R</b>	23046718
102C	2-3 Clutch - .476 - .486 .....	AR	-	<b>21745-R</b>	23046745
102C	2-3 Clutch - .450 - .460 .....	AR	-	<b>21746-R</b>	23046746
<b>FILTERS/FILTER KITS</b>					
105F	Filter Kit - Cork & Neoprene .....	1	-	<b>FK21800</b>	23019201
105F	Filter Kit - Armstrong® .....	1	-	<b>FK21800W</b>	29502302
105F	Filter Kit - Stainless Steel Wire Mesh - 5" Pan <b>(6)</b> .....	1	-	<b>FK21800L</b>	29528215
107F	Filter - Paper ..... (6883044)	1	-	<b>21800</b>	29527373
107F	Filter - Stainless Steel Wire Mesh - 5" Pan <b>(6)</b> ..... (29527373)	1	-	<b>21800L</b>	29532584
N.I.	Filter - External Spin on Cartridge .....	1	-	<b>HD-223</b>	25010643
N.I.	Screen - Center Support .....	1	-	<b>21713</b>	23010654
109F	Screen - Governor - Early - Prior To S/N 58071 .....	1	-	<b>11712</b>	23045247
109F	Screen - Governor - Late - Start With S/N 58071 .....	1	-	<b>21712</b>	6882687
<p><b>(6)</b> Use with auxiliary filter only.</p>					
<b>VACUUM MODULATORS</b>					
111F	Modulator w/O-Ring (Large Can) .....	1	-	<b>11820</b>	3039092
	Modulator w/O-Ring (Small Can) .....	1	-	<b>11820A</b>	29501199
<b>METAL CLAD SEALS</b>					
115B	Front Pump - 3.355" O.D. ....	1	-	<b>21200</b>	6837228
115B	Front Pump - 3.881" O.D. - Update - Brown Viton .....	1	-	<b>21200A</b>	23016643
115B	Front Pump - 3.380" O.D. - Viton - Shielded .....	1	-	<b>21200B</b>	23045556
117F	Selector Shaft .....	1	-	<b>38511</b>	23010610
119F	Rear Cover 3.628" O.D. ....	1	-	<b>11850</b>	6778050
119F	Rear Cover 4.751" O.D. ....	1	-	<b>21850</b>	6773311
<b>BUSHINGS</b>					
N.I.	Bushing Kit .....	1	-	<b>K21902</b>	N.L.
121A	Converter Cover .....	1	-	<b>21000</b>	6756782
123B	Front Pump Body - MT640, 650, 653 (Not Included In Kit) - 2.530 ..... (23046153)	1	-	<b>21007</b>	29527101
123B	Front Pump Body - MT644, 654 (Not Included In Kit) - 2.580 .....	1	-	<b>21008</b>	23046152
123B	Front Pump Body .....	1	-	<b>21005</b>	6881926
125C	Center Support .....	1	-	<b>21003</b>	23011924
127D	Front Planetary Carrier - (I.D. Must Be Finished In Place) .....	1	-	<b>21001</b>	6835385
129D	Center Sun Gear - (I.D. Is Finished, No Further Machining Required) .....	2	-	<b>21002</b>	29516211
129D	Center Sun Gear - (I.D. Must Be Finished In Place) .....	2	-	<b>21002X</b>	6834503

AT640

# ALLISON

## MT/B 640, 643, 644, 647, 650, 653, 654

To Get The Correct Parts, You Must Provide The Assembly Number Found On The Transmisson Name Plate.

ILL.	DESCRIPTION	QTY.	YEAR	PART NO.	REFERENCE NO.
<b>BUSHINGS (Cont.)</b>					
131E	Low Planetary Carrier - (I.D. Must Be Finished In Place) .....	1	-	<b>21004</b>	6835398
133F	Rear Output Shaft Bushing (Replaces Bearing 21219 In R. Output Shaft) .....	1	-	<b>21006</b>	23016859
<b>SEALING RINGS/RING KITS</b>					
N.I.	Sealing Ring Kit - Complete - 8 Rings .....	1	-	<b>K21901</b>	N.L.
N.I.	Sealing Ring Kit - Complete - 8 Rings - Vespel .....	1	-	<b>K21901V</b>	N.L.
135A	Converter Pump Hub .....	1	-	<b>21300</b>	6830187
137B	Pump Support - Front .....	2	-	<b>21301T</b>	23015617
137B	Pump Support - Front - Vespel .....	1	-	<b>K21301V</b>	23014632
139B	Turbine/Converter .....	1	-	<b>21302</b>	6839163
139B	Turbine/Converter - Vespel .....	1	-	<b>21302V</b>	23019653
141B	Front - Turbine Shaft .....	2	-	<b>21303</b>	6833999
143C	Center Support .....	2	-	<b>21301T</b>	23015617
<b>THRUST WASHERS/NEEDLE BEARINGS</b>					
145A	Spacer - Turbine:				
	- .015" - Gold - exc. 644, 654 .....	AR	-	<b>11403</b>	6837429
	- .015" - Gold - 644, 654 .....	AR	-	<b>21403</b>	6839976
	- .030" - Silver - exc. 644, 654 .....	AR	-	<b>11403A</b>	6837430
	- .030" - Silver - 644, 654 .....	AR	-	<b>21403A</b>	6839977
	- .042" - Plain - exc. 644, 654 .....	AR	-	<b>11403B</b>	6837431
	- .042" - Plain - 644, 654 .....	AR	-	<b>21403B</b>	6839978
	- .060" - Black - exc. 644, 654 .....	AR	-	<b>11403C</b>	6837432
	- .060" - Black - 644, 654 .....	AR	-	<b>21403C</b>	6839979
	- .075" - Copper - exc. 644, 654 .....	AR	-	<b>11403D</b>	6837433
	- .075" - Copper - 644, 654 .....	AR	-	<b>21403D</b>	6839980
	Washer - Front Planetary:				
147D	- Bronze .....	12	-	<b>11413</b>	6839514
149D	- Steel .....	12	-	<b>11414</b>	6833991
	Washer - Center Planetary:				
151D	- Bronze .....	8	-	<b>21415</b>	6839375
153D	- Steel .....	8	-	<b>21416</b>	23018960
	Washer - Rear Planetary:				
155D	- Bronze .....	8	-	<b>21415</b>	6839375
157D	- Steel .....	8	-	<b>21416</b>	23018960
160F	Washer - Center Support Bolt .....	1	-	<b>11422</b>	23014094
	Washer - Low Planetary:				
158E	- Bronze (Exc. 644, 654) .....	12	-	<b>11416</b>	6839376
159E	- Steel (644, 654) .....	8	-	<b>21424</b>	23018961
163F	Washer - Output Flange .....	1	-	<b>11421</b>	29500739
N.I.	Washer - Drain Plug -Coated .....	1	-	<b>11423B</b>	29507909
164D	Washer - Rear Sun Gear (Plastic) .....	1	-	<b>21418</b>	29524362
<b>BEARINGS</b>					
N.I.	Bearing Kit (Contains 2 Ea - 21782, 21799 & one 11404) .....	1	-	<b>K21950</b>	N.L.
N.I.	Bearing Kit - Complete - 643 .....	1	-	<b>K21950C</b>	N.L.
N.I.	Bearing Kit - Complete - 653 .....	1	-	<b>K21950D</b>	N.L.
165B/ 165C	Thrust Bearing Assembly - Forward Clutch .....	2	-	<b>21799</b>	23015799
167B	Front & Center Support Bearing .....	2	-	<b>21782</b>	23019782
169A	Thrust Bearing - Converter Stator .....	1	-	<b>11404</b>	23016866
179A	Bearing - Converter Hub - 640, 650 .....	1	-	<b>21883</b>	23048030
287A	Bolt - Torque Converter Hub .....	1	-	<b>96-178</b>	23014542

# ALLISON

## MT/B 640, 643, 644, 647, 650, 653, 654

**To Get The Correct Parts, You Must Provide The Assembly Number Found On The Transmission Name Plate.**

ILL.	DESCRIPTION	BRAND	QTY.	YEAR	PART NO.	REF NO.
<b>HARD PARTS</b>						
Hard Parts may only require the base number for OEM/Aftermarket New or a "-R" suffix for remanufactured. Exceptions are listed individually. NOTE: A separate column is provided to indicate a primary or specific brand/type.						
133F	Roller Bearing - See 21006 Under Bushings .....					
175A	Nut - Flex Plate .....		6	-	21214	23046154
176A	Washer - Flex Plate .....		6	-	21154	23014462
177A	Converter Hub:					
	- 1st Design - 640, 650 - Bushing Style - 8 Bolt .....		1	-	21206	6837203
	- 2nd Design - 640, 650 - Bearing Style (w/bearing) 8 Bolt .....		1	-	21204A	23013906
	- 2nd Design - 640, 650 - Bearing Style (w/o bearing) 8 Bolt .....		1	-	21204	23013906
	- 3rd Design - .683 Gear - Bushing Style - 8 Bolt ..... (23016722)		1	-	21204C	29507140
	- 4th Design - 1.00 Gear - MT644, 647, 654 - Bearing Style - 12 Bolt (23017446)		1	-	21204E	23046638
	- 4th Design - MT644, 647, 654 - Bushing Style - 12 Bolt .....		1	-	21204D	23016723
179A	Bearing - Converter Hub - 640, 650 .....		1	-	21883	23048030
181A	Converter Cover Stud .....		6	-	21508	6839508
182A	Converter Cover Nut .....		24	-	21139	190139
183A	Race, Converter Hub Bearing - H.D. - 640, 650 (Bearing Style Hub) .....		1	-	21907	23013907
183A	Race, Converter Hub Bearing - H.D. - 640, 650 (Bushing Style Hub) .....		1	-	21907A	9440257
185A	Race, Converter Stator - MT643 .....		1	-	21226	6837206
187A	Converter Stator Roller .....		10	-	11211	6774968
189A	Converter Stator Spring .....		10	-	11210	29513517
190B	Locking Key, Converter Cover - Football Key .....		1	-	21209	6772552
191A	Strip Lock - Converter Hub - 644, 654 .....		6	-	21212	6880899
191A	Strip Lock - Converter Hub - exc. 644, 654 .....		4	-	11212	6769631
193B	Pump Body w/Gears:					
	- .683 Gears - 640, 650 ..... (23046636)		1	-	K21636	29527499
	- .683 Gears - Late 640, 650 ..... (23016889)		1	-	K21636A	29527490
	- .818 Gears - MT654 .....		1	-	K21637	23046638
	- 1.00 Gears - Bushing Design - Late MT644, 647, 654 .....		1	-	K21637A	23017114
194C	Support - Center - w/ bushing .....	R	1	-	21940	23018593
195B	Pump Support:					
	- Early - MT643,653 ..... (23015871)	R	1	-	21871	29515355
	- Early - MT644,654 - (Mates w/ Ref. #23046638 Body & Gears) .....	R	1	-	21872	23015872
	- Late - MT643,653 - (Mates w/1" Pump Body Gear) .....	R	1	-	21751	23016751
	- Late - MT644,654 - (Mates w/1" Pump Body Gear) .....	R	1	-	21763	23016763
196C	Piston - Center Support - 2nd/3rd Clutch .....	R	2	-	21942	6834230
197B	Kit - Front Pump Gears:					
	- exc. 644/654 - Standard. O.D. - .6835 - .6845 .....		1	-	K21201	N.L.
	- 644/654 - Standard. O.D. - .8185 - .8190 .....		1	-	K21201C	N.L.
	- 647 - Standard. O.D. - 1.00 Gears .....		1	-	K21201D	N.L.
198B	Driven Gear Only:					
	- exc. 644/654 - Standard O.D. - .6835 .....		1	-	21201-2	N.L.
	- exc. 644/654 - .060 Oversize O.D. - .6835 .....		1	-	21201-4	N.L.
	- 644/654 - Standard O.D. - .8185 .....		1	-	21201-7	N.L.
	- 644/654 - .060 Oversize O.D. - .8185 .....		1	-	21201-9	N.L.
	- 647 - Standard O.D. - 1.00 .....		1	-	21201-11	N.L.
	- 647 - .060 Oversize O.D. - 1.00 .....		1	-	21201-13	N.L.
199B	Drive Gear Only:					
	- exc. 644/654 - Standard O.D. - .6835 ..... (23015392)		1	-	21201-1	N.L.
	- exc. 644/654 - .060 Oversize O.D. - .6835 .....		1	-	21201-3	N.L.
	- 644/654 - Standard O.D. - .8185 .....		1	-	21201-6	N.L.
	- 644/654 - .060 Oversize O.D. - .8185 .....		1	-	21201-8	N.L.
	- 647 - Standard O.D. - 1.00 .....		1	-	21201-10	N.L.
	- 647 - .060 Oversize O.D. - 1.00 .....		1	-	21201-12	N.L.

AT640

# ALLISON

## MT/B 640, 643, 644, 647, 650, 653, 654

To Get The Correct Parts, You Must Provide The Assembly Number Found On The Transmisson Name Plate.

ILL.	DESCRIPTION	BRAND	QTY.	YEAR	PART NO.	REF NO.
<b>HARD PARTS (Cont.)</b>						
200E	Ring Gear Hub - (Hardened) - MT653 .....		1	-	<b>21325</b>	29506325
202E	Ring Gear - 1st Clutch - MT653 .....		1	-	<b>21568</b>	6835568
204B	Ground Sleeve - Finished I.D. Bearing Installed: - 640, 650 Early Style - Silver Single Spline w/o Step .....		1	-	<b>21202</b>	23014527
	- 640/650 Late Style - Silver Single Spline w/ Step .....		1	-	<b>21202A</b>	23040476
	- 644, 654 Early Style - Silver Dual Spline w/o Step ..... (23014306)		1	-	<b>21203</b>	29507674
	- 644/654 Late Style - Black Dual Spline w/ Step .....		1	-	<b>21203A</b>	29507673
206B	Roller Bearing - Front Pump (Ina Brand) ..... (9438017)		1	-	<b>21223A</b>	29503987
206B	Roller Bearing - Front Pump (Torrington Brand) ..... (9438017)		1	-	<b>21223</b>	29503987
208B	Turbine Shaft .....		1	-	<b>21785</b>	23012785
208B	Turbine Shaft - 654 .....		1	-	<b>21785B</b>	23019222
209B	Housing - Forward - w/o Shaft - MT643, 653 .....	R	1	-	<b>21172</b>	23017172
210B	Hub - Forward Clutch - exc. 644, 654 .....		1	-	<b>21222</b>	6834222
212B	Hub - Fourth Clutch Driving - exc. 644, 654 .....		1	-	<b>21221</b>	6834221
	Hub - Fourth Clutch Driving - 644, 654 .....		1	-	<b>21221B</b>	23017267
214C	Lock Nut - Third Clutch Spring Retainer - Push On .....		4	-	<b>11213</b>	3909063
216C	Lock Nut - Second Clutch Spring Retainer - Push On .....		4	-	<b>11213</b>	3909063
218D	Front Carrier Replacement Housing w/6 Pins .....		1	-	<b>RH21565</b>	6882564
220D	Rear Carrier - MT653 .....	R	1	-	<b>21642</b>	6835642
222D	Sun Gear - Center w/Bushings Installed .....		1	-	<b>21606</b>	29516215
224D	Sun Gear - Rear .....		1	-	<b>21901</b>	6883901
226D	Pin - Front Planetary .....		6	-	<b>11215</b>	6834309
228D	Needle Roller - Front Planetary .....		120	-	<b>11919</b>	9426919
230D	Kit - Front Planetary Repair .....		1	-	<b>K21215</b>	N.L.
232D	Pin - Center Planetary .....		4	-	<b>21216</b>	6835567
234D	Needle Roller - Center Planetary .....		72	-	<b>21920</b>	6834915
236D	Kit - Center Planetary Repair .....		1	-	<b>K21216</b>	N.L.
238D	Main Shaft - 643, 653 .....		1	-	<b>21456</b>	23013456
238D	Main Shaft - 644/654 .....		1	-	<b>21456B</b>	23017699
240A	Piston - L/U - 640, 650 .....		1	-	<b>21845</b>	6770845
242D	Spiral Ring - Rear Sun Gear To Planetary .....		1	-	<b>21224</b>	6834583
244D	Pin - Rear Planetary .....		4	-	<b>21216</b>	6835567
246D	Needle Roller - Rear Planetary .....		72	-	<b>21920</b>	6834915
248D	Kit - Rear Planetary Repair .....		1	-	<b>K21216</b>	N.L.
250D	Roller Bearing - Output Shaft - 640, 643 .....		1	-	<b>21219</b>	9418483
253F	Bolt - Case To Center Support - Anchor 2-1/4" .....		1	-	<b>21220</b>	23013398
253F	Bolt - Case To Center Support - Anchor 3" .....		1	-	<b>31220</b>	23045343
255F	Manual Selector Shaft Kit .....		1	-	<b>K11235</b>	23017610
257F	Tube - Oil Filter - Updates Prior To S/N 58071 .....		1	-	<b>21225</b>	6883045
259E	Pin - Low Planetary - exc. 644, 654 .....		6	-	<b>11216</b>	6831679
	Pin - Low Planetary - 644, 654 .....		4	-	<b>21211A</b>	6880019
261E	Needle Roller - Low Planetary - exc. 644, 654 .....		114	-	<b>11920</b>	9426920
	Needle Roller - Low Planetary - 644, 654 .....		124	-	<b>21920</b>	6834915
263E	Kit - Low Planetary Repair - exc. 644, 654 .....		1	-	<b>K21217</b>	N.L.
	Kit - Low Planetary Repair - 644, 654 .....		1	-	<b>K21211A</b>	N.L.
265F	Bolt - Output Flange .....-23014159		1	-	<b>11222</b>	29510838
267F	Nut - Self-lock Hex - Rear Output Shaft .....		1	-	<b>21956</b>	6771144
270F	Governor:					
	- I.D. No. 461 .....		1	-	<b>11410A</b>	6885570
	- I.D. No. 462 .....		1	-	<b>11410B</b>	6885571
	- I.D. No. 463 .....		1	-	<b>21410</b>	6885572
	- I.D. No. 465 .....		1	-	<b>21410A</b>	6881471
	- I.D. No. 738 .....		1	-	<b>21410B</b>	6882737
	- I.D. No. 739 .....		1	-	<b>21410C</b>	6882736

